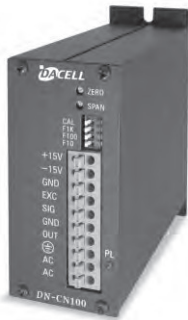


Signal Conditioner

Digital Indicator



>Model DN-CN100

As signal conditioner, it was designed and manufactured to be suitable for instrumentation control panel. It is used for potentiometer, and signal converter DC voltage output transducer.

■Feature

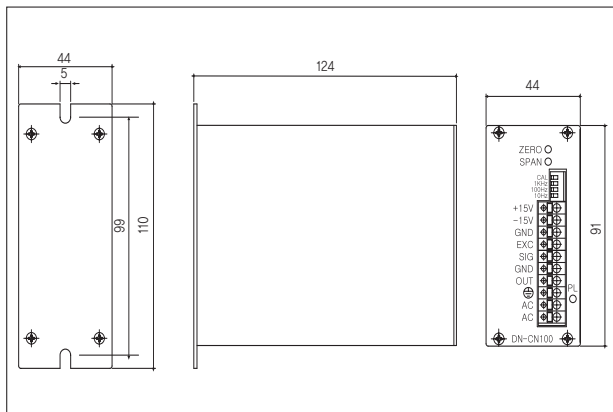
- Built-in single step filtering function
- Easy to adjust zero and span by volume
- Frequency response DC~10kHz

>SPECIFICATIONS

Specifications	Accuracy
Bridge voltage	Constant voltage DC 10V, ±15V
Application bridge resistance	1kΩ ~ 100kΩ
Rated output	Voltage 10V (Load resistance more than 200Ω) Current 4 ~ 20mA (Load resistance less than 300Ω)
Zero adjustment ranger	20%, 10 rotations
Stability (temp. characteristic)	20%, 10 rotations
Frequency response	DC ~ 10kHz (-3dB)
Low Pass Filter	10Hz, 100Hz, 1kHz, Pass
Nonlinearity	0.02% F.S
Usage temperature range	-10°C ~ 60°C
Humidity	Less than 80% RH (No dew condensation)
Supply power	AC220V 50/60KH(AC 110V available by internal operation)

>DIMENSIONS

unit:mm



>Model DN-20W

Pressure Transducer, LVDT, etc. The setup sequence is simple and quick using four push buttons only.

- High resolving power (16bit A/D)
- High precision (more than 0.012% F.S) and stability
- Quick sampling speed (100 times/sec)
- Built-in Shunt calibration switch
- Watch dog
- Calibration of actual load and sensor output value
- Peak hold and Sample hold
- Auto zero
- Small size (96×48×128mm)
- Weight : about 700g

■Option

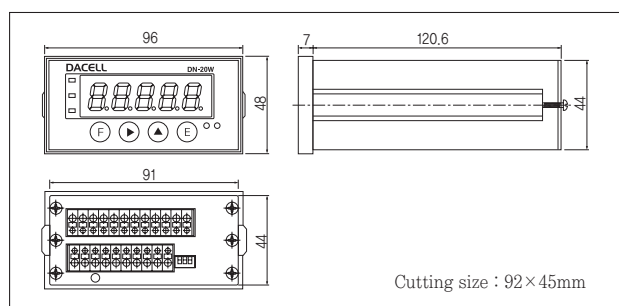
- OP-06 : Power 24VDC

>SPECIFICATIONS

Specifications	Accuracy
Application sensor	Pressure sensor, Linear Pontentiometer(LPS, CTP)
Sensor authorized voltage	DC 10V, 24V (Dip switch)
Zero adjustment range	100%F · S (Auto Zero)
Input signal	DC 0~5V, 0~10V, 4~20mA
Display	-19999 ~ 99999
Display Speed	Approx 30times/sec(Adjustment available by buff setting)
Character height	7Segment 5 digit LED 14mm
Decimal point	Random setting available
A/D converter	16bit, 100 times/sec
D/A converter	12bit
Zero variation	within 0.5μV/°C
Sensitivity variation	within 0.01%/°C
voltage output	DC 0~10V (4~20mA : in accordance with customer request)
Usage temperature range	-10°C~60°C
Humidity	Less than 80% RH (no dew condensation)
Power source used	220V 50/60Hz (110V available by internal operation)
Relay output	- Upper and lower limit comparison output • 4 relay output • Contact capacity : AC 250V 5A • Relay life time : more than 5,000,000 times
Network	RS-232C
Option	• BCD Paralle out (OP-01) • RS485 (OP-02)

>DIMENSIONS

unit:mm



★Specifications are subject to change without notice.